

锌合金内螺纹直接头

Zinc alloy internal thread Straight Fitting

材质：锌合金（表面镀锌、铬）

Material: Zinc alloy with zinc, chromium plated

温度：-40°C~+120°C，短时间 150°C

Temperature range: -40°C ~ +120°C, short-term to 150°C

防护等级：IP65

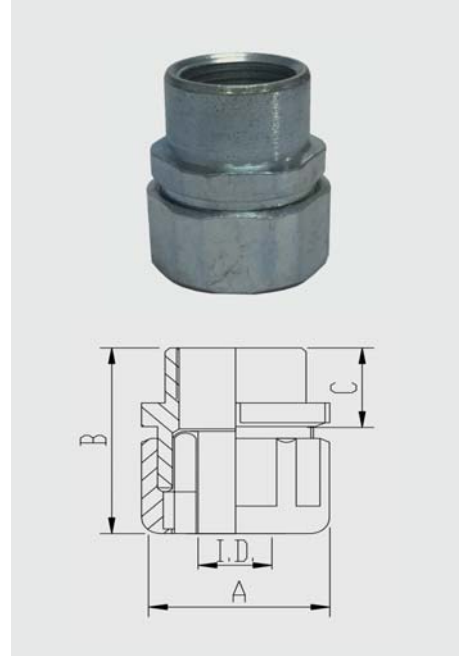
Protection Degree: IP65

适用软管：SC, SPC, SPLC, SBC, SSC, SPUL, RPC, SSPC

Fitting conduits: SC, SPC, SPLC, SBC, SSC, SPUL, RPC, SSPC

特性：加厚型锌合金镀锌或硬铬，外形美观，结构紧密，强度高。软管护套设计与软管相扣接紧之设计，装配时省时便利，抗拉力特强。可防水，防尘，抗盐，耐酸碱，酒精，油，脂及一般溶剂。

Properties: Thicken in zinc alloy with zinc or hard chromium, perfect appearance, compact structure and high strength. Masterly design of sheath and button up, matching tight equipment that bring timesaving, advantage and high stretching resistance. Waterproof, dustproof, resistance to salt, acid base, alcohol, oils, fats and other ordinary dissolvent.



M 螺纹

适配软管尺寸 Fits to conduit size	型号 Part no.	螺纹 Thread	I.D	A	尺寸 Dimension(mm)			D	包装 (个) Packing
					B	C			
5/16"	SPC12-M12-FA	M12X1.5	8.5	21.0	37.0	17.0	12.0	50	
3/8"	SPC16-M16-FA	M16X1.5	11.2	27.6	37.0	17.0	16.0	50	
1/2"	SPC20-M20-FA	M20X1.5	14.8	34.5	37.0	17.5	20.0	50	
3/4"	SPC25-M30-FA	M30X2.0	18.7	41.5	47.0	21.5	30.0	50	
1"	SPC32-M33-FA	M33X2.0	24.8	47.5	48.0	23.0	33.0	50	
1 1/4"	SPC40-M42-FA	M42X2.0	33.1	57.0	59.3	29.0	42.0	25	
1 1/2"	SPC45-M48-FA	M48X2.0	38.0	70.5	69.0	28.0	48.0	20	
2"	SPC57-M60-FA	M60X2.0	48.8	85.0	69.3	28.3	60.0	10	

PF 螺纹

适配软管尺寸 Fits to conduit size	型号 Part no.	螺纹 Thread	I.D	A	尺寸 Dimension(mm)			D	包装 (个) Packing
					B	C			
5/16"	SPC16-PF3/8" -FA	PF3/8"	8.5	21.0	37.0	17.0	16.6	50	
3/8"	SPC16-PF1/2" -FA	PF1/2"	14.6	30.0	35.3	18.5	19.2	50	
1/2"	SPC20-PF1/2" -FA	PF1/2"	14.8	34.5	37.0	17.5	19.6	50	
3/4"	SPC25-PF3/4" -FA	PF3/4"	19.0	35.0	36.0	17.5	24.7	50	
1"	SPC32-PF1" -FA	PF1"	24.5	41.5	39.0	19.0	31.0	50	
1 1/4"	SPC40-PF1 1/4" -FA	PF1 1/4"	33.7	52.0	43.0	21.0	39.7	25	
1 1/2"	SPC45-PF1 1/2" -FA	PF1 1/2"	37.7	59.0	46.5	23.0	45.7	20	
2"	SPC57-PF2" -FA	PF2"	49.0	73.0	53.0	26.0	57.3	10	
2 1/2"	SPC70-PF2 1/2" -FA	PF2 1/2"	61.5	89.0	62.5	30.0	73.1	5	
3"	SPC85-PF3" -FA	PF3"	74.0	102.0	63.0	30.0	85.7	2	
4"	SPC110-PF4" -FA	PF4"	98.5	133.0	75.5	37.0	100.6	2	