

63/64

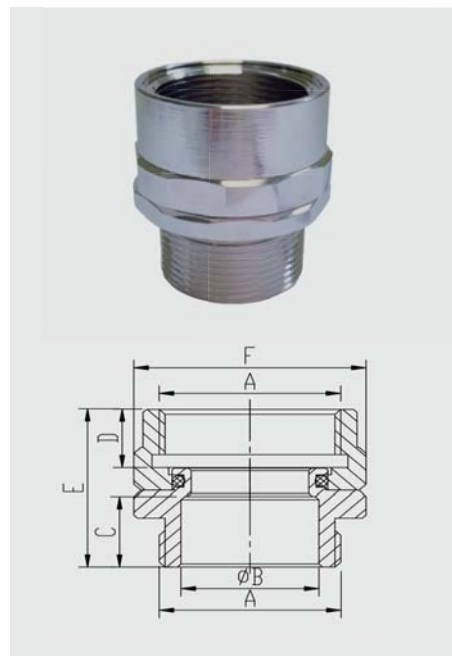
金属变径环 (可旋转) Adapter swivel converter

材质：黄铜镀镍

Material: Nickel-plated brass

防护等级：IP67

Protection Degree: IP67



M 螺纹

型号 Part no.	螺纹 A Thread	B	尺寸 Dimension(mm)		E	F	包装 (个) Packing
			C	D			
RBM/M16-M16/E	M16X1.5	11.0	10.0	12.0	30.2	22.0	10
RBM/M20-M20/E	M20X1.5	15.0	10.0	12.0	30.2	27.0	10
RBM/M25-M25/E	M25X1.5	19.0	12.0	13.0	33.2	32.0	10
RBM/M32-M32/E	M32X1.5	26.0	14.0	14.0	36.2	40.0	10
RBM/M40-M40/E	M40X1.5	34.0	15.0	15.0	38.2	47.0	10
RBM/M50-M50/E	M50X1.5	44.0	17.0	17.0	42.2	57.0	10

PG 螺纹

型号 Part no.	螺纹 A Thread	B	尺寸 Dimension(mm)		E	F	包装 (个) Packing
			C	D			
RBM/PG9-PG9/E	PG9	9.5	10.0	12.0	30.2	22.0	10
RBM/PG11-PG11/E	PG11	12.5	10.0	12.0	30.2	25.0	10
RBM/PG13-PG13/E	PG13	14.5	10.0	12.0	30.2	30.0	10
RBM/PG16-PG16/E	PG16	16.5	10.0	12.0	30.2	32.0	10
RBM/PG21-PG21/E	PG21	22.0	12.0	13.0	33.2	35.0	10
RBM/PG29-PG29/E	PG29	31.0	15.0	15.0	38.2	45.0	10
RBM/PG36-PG36/E	PG36	48.0	17.0	17.0	42.2	55.0	10
RBM/PG48-PG48/E	PG48	53.0	17.0	17.0	42.2	70.0	10